

# Question Paper Preview

**Subject Name:** Architecture and Planning

Display Number Panel: Yes  
Group All Questions: No

**Question Number : 1 Question Id : 7621612281 Display Question Number : Yes Single Line Question Option : No Option Orientation : Vertical**

What architectural word is termed to be free from any historical style?

Options :

1. Renaissance
2. Eclecticism
3. Art Nouveau
4. Baroque

**Question Number : 2 Question Id : 7621612282 Display Question Number : Yes Single Line Question Option : No Option Orientation : Vertical**

The world's first large-scale monument in stone is

Options :

1. Pyramid of Zoser
2. Pyramid of Khufu
3. Pyramid of Cheops
4. Pyramid of Chefren

**Question Number : 3 Question Id : 7621612283 Display Question Number : Yes Single Line Question Option : No Option Orientation : Vertical**

Finest example of French-Gothic architecture is

Options :

1. Chartres Cathedral
2. Soissons Cathedral
3. Lyon Cathedral
4. Reims Cathedral



**Question Number : 4 Question Id : 7621612284 Display Question Number : Yes Single Line Question Option : No Option Orientation : Vertical**

Plan shape of a Chinese pagoda is

Options :

1. Octagonal
2. Hexagonal
3. Rectangular
4. Square

Question Number : 5 Question Id : 7621612285 Display Question Number : Yes Single Line Question Option : No Option Orientation : Vertical

The most famous structure of Byzantine architecture and notable of its large dome.

Options :

1. Basilica of Saint' Apollinare Nuovo
2. Church of San Vitale
3. Hagia Irene
4. Hagia Sophia

Question Number : 6 Question Id : 7621612286 Display Question Number : Yes Single Line Question Option : No Option Orientation : Vertical

Which of the order was added by the Romans to the orders used by the Greeks?

Options :

1. Corinthian
2. Doric
3. Composite
4. Ionic

Question Number : 7 Question Id : 7621612287 Display Question Number : Yes Single Line Question Option : No Option Orientation : Vertical

Which foreign influence is seen in the rock cut architecture of India?

Options :

1. Arabic
2. Persian
3. Indo-European
4. Greek

Question Number : 8 Question Id : 7621612288 Display Question Number : Yes Single Line Question Option : No Option Orientation : Vertical

Where is the world's largest panoramic sculptural relief located?

Options :

1. Kanchipuram
2. Madurai

3. Pondicherry
4. Mahabalipuram

Question Number : 9 Question Id : 7621612289 Display Question Number : Yes Single Line Question Option : No Option Orientation : Vertical

The coupling device for connecting two pipes is

Options :

1. Plug
2. Sanitary toe
3. Union
4. Increaser

Question Number : 10 Question Id : 7621612290 Display Question Number : Yes Single Line Question Option : No Option Orientation : Vertical

An opening in a wall or parapet that allows water to drain from a roof is called a:

Options :

1. Surface Drain
2. Horizontal Drain
3. Scupper
4. Overflow

Question Number : 11 Question Id : 7621612291 Display Question Number : Yes Single Line Question Option : No Option Orientation : Vertical

U shaped or S shaped section of a drainpipe in which liquid remains and forms a seal for preventing the passage of sewer gas without affecting the normal flow of waste water or sewage.

Options :

1. Drum trap
2. Backsplash
3. Air gap
4. Trap

Question Number : 12 Question Id : 7621612292 Display Question Number : Yes Single Line Question Option : No Option Orientation : Vertical

Identify according to Flush Tank type



Options :

1. High Flush Tank
2. Low Flush Tank
3. Integral Flush Tank
4. Close Coupled Flush Tank

Question Number : 13 Question Id : 7621612293 Display Question Number : Yes Single Line Question Option : No Option Orientation : Vertical

\_\_\_\_\_ device for regulating the supply of water in a flush tank by means of a hollow floating ball is also called float valve

Options :

1. Ball cock
2. Flushometer valve
3. Water hammer
4. Backsplash

Question Number : 14 Question Id : 7621612294 Display Question Number : Yes Single Line Question Option : No Option Orientation : Vertical

If the air conditioning system has an accumulator, it is a:

Options :

1. thermostatic expansion valve system.
2. fixed orifice tube system.
3. receiver dryer system.
4. throttling suction valve system.

Question Number : 15 Question Id : 7621612295 Display Question Number : Yes Single Line Question Option : No Option Orientation : Vertical

In an air conditioning and refrigeration system, which of the following action occurs in a condenser?

Options :

1. The refrigerant absorbs the latent heat.
2. The refrigerant releases the latent heat.

3. Latent heat is pressurized.
4. Latent heat is increased.

Question Number : 16 Question Id : 7621612296 Display Question Number : Yes Single Line Question Option : No Option Orientation : Vertical

What is a "charged hose"?

Options :

1. A pressurized fire hose ready for use.
2. A hose that is connected to a fire hydrant.
3. A damaged or leaking fire hose.
4. An extension used to lengthen a fire line.

Question Number : 17 Question Id : 7621612297 Display Question Number : Yes Single Line Question Option : No Option Orientation : Vertical

In responding to a call of "a person or persons stuck in an elevator", which type of firefighting apparatus would be best suited to handle this type of service request?

Options :

1. A fire engine.
2. A fire truck.
3. An emergency medical service ambulance.
4. A battalion chief response vehicle.

Question Number : 18 Question Id : 7621612298 Display Question Number : Yes Single Line Question Option : No Option Orientation : Vertical

A single panel or a group of panel units designed for assembly in the form of a single panel, including buses and with or without switches and/or automatic over current protective devices for the control of light, heat or power circuits, designed to be placed in a cabinet or cutout box placed in or against a wall or partition and accessible only from the front.

Options :

1. Panel board
2. Switchboards
3. Outlet box
4. Substations

Question Number : 19 Question Id : 7621612299 Display Question Number : Yes Single Line Question Option : No Option Orientation : Vertical

Presentation to the client turn more to this issues of coordination and cost control and take into amount more specific feed-back about the nature of rooms and spaces.

Options :

1. Design Development

2. Programming
3. Schematic Design
4. Construction Documents

Question Number : 20 Question Id : 7621612300 Display Question Number : Yes Single Line Question Option : No Option Orientation : Vertical

A specification that stipulates the exact quantities and qualities of materials to be furnished.

Options :

1. Performance specifications
2. Reference specifications
3. Descriptive specifications
4. Propriety specifications

Question Number : 21 Question Id : 7621612301 Display Question Number : Yes Single Line Question Option : No Option Orientation : Vertical

He is a registered & licensed architect, who is academically and professionally qualified & with exceptional or recognized expertise or specialization in any branch of architecture;

Options :

1. Architect-of-record
2. Consulting Architect
3. Architect
4. Architect-in-charge of the construction

Question Number : 22 Question Id : 7621612302 Display Question Number : Yes Single Line Question Option : No Option Orientation : Vertical

Architectural programming is one of the architect's services that falls under:

Options :

1. Pre Design
2. Design
3. Design-Build
4. Specialized Services

Question Number : 23 Question Id : 7621612303 Display Question Number : Yes Single Line Question Option : No Option Orientation : Vertical

Various activities of a project, are shown on bar charts by

Options :

1. vertical lines
2. dots
3. horizontal lines
4. crosses

Question Number : 24 Question Id : 7621612304 Display Question Number : Yes Single Line Question Option : No Option Orientation : Vertical

The technique for establishing and maintaining priorities among the various jobs of a project, is known as

Options :

1. Event flow scheduling technique
2. Slotting technique for scheduling
3. Critical ratio scheduling
4. Short interval scheduling

Question Number : 25 Question Id : 7621612305 Display Question Number : Yes Single Line Question Option : No Option Orientation : Vertical

For completion of a project, the critical path of the network represents

Options :

1. maximum time
2. minimum time
3. minimum cost
4. maximum cost

Question Number : 26 Question Id : 7621612306 Display Question Number : Yes Single Line Question Option : No Option Orientation : Vertical

Within how many months shall be the release of Retention from the date of Final Payment?

Options :

1. 2 months
2. 3 months
3. 4 months
4. 6 months

Question Number : 27 Question Id : 7621612307 Display Question Number : Yes Single Line Question Option : No Option Orientation : Vertical

When the owner hires an Architect of a firm to coordinate the whole range of Comprehensive Architectural Services, it shall constitute

Options :

1. Design-Build
2. Labor Supervision
3. Project Management
4. Construction Service



Question Number : 28 Question Id : 7621612308 Display Question Number : Yes Single Line Question Option : No Option Orientation : Vertical

One of the electric cables connecting an elevator car to a fixed electrical outlet in the hoist way.

Options :

1. Hoisting cable
2. Traveling cable
3. Driving sheave
4. Guide rail

Question Number : 29 Question Id : 7621612309 Display Question Number : Yes Single Line Question Option : No Option Orientation : Vertical

These are inert granular material which when mixed with cement and water result in concrete

Options :

1. Gravel
2. Sand
3. Aggregates
4. Admixtures

Question Number : 30 Question Id : 7621612310 Display Question Number : Yes Single Line Question Option : No Option Orientation : Vertical

Another technical term for wet concrete

Options :

1. Saturated
2. Green
3. Damp
4. Pervious

Question Number : 31 Question Id : 7621612311 Display Question Number : Yes Single Line Question Option : No Option Orientation : Vertical

Type of glass with little or no distortion

Options :

1. Sheet
2. Float
3. Rolled
4. Reflect

Question Number : 32 Question Id : 7621612312 Display Question Number : Yes Single Line Question Option : No Option Orientation : Vertical

A type of deep foundation, also referred to as "drilled pier". A hole is drilled or dug through inadequate soil and then filled with concrete.

Options :

1. Pile Foundations



2. Auguring
3. Ribbed Mat Foundation
4. Caisson Foundations

Question Number : 33 Question Id : 7621612313 Display Question Number : Yes Single Line Question Option : No Option Orientation : Vertical

\_\_\_\_\_ is a process of transferring a portion of the load of the wall to temporary footings and done when the excavation does not go much below the adjoining footings and when the material is fairly solid.

Options :

1. Shoring
2. Scaffolding
3. Footing
4. Deep Foundation

Question Number : 34 Question Id : 7621612314 Display Question Number : Yes Single Line Question Option : No Option Orientation : Vertical

A type of gunitite mixed with an accelerating admixture with aggregate larger than 10 mm originally sprayed under high air pressure of lining tunnels.

Options :

1. Shotcrete
2. Pneumatic Gunitite
3. Early Strength Gunitite
4. Pneumatic mortar

Question Number : 35 Question Id : 7621612315 Display Question Number : Yes Single Line Question Option : No Option Orientation : Vertical

A three-dimensional spatial structure made up of one or more curved slabs or folded plates whose thicknesses are small compared to their other dimensions.

Options :

1. Bearing all system
2. Funicular structure
3. Thin shell
4. Geodesic dome

Question Number : 36 Question Id : 7621612316 Display Question Number : Yes Single Line Question Option : No Option Orientation : Vertical

A reinforced concrete footing for perimeter column or foundation wall extended to support an interior column load.

Options :

1. Combined Footing

2. Strip Footing
3. Mat Footing
4. Raft Footing

Question Number : 37 Question Id : 7621612317 Display Question Number : Yes Single Line Question Option : No Option Orientation : Vertical

\_\_\_\_\_ is the process of compacting the soil on which the structure will rest.

Options :

1. Grading
2. Excavating
3. Shoring
4. Stabilizing the soil

Question Number : 38 Question Id : 7621612318 Display Question Number : Yes Single Line Question Option : No Option Orientation : Vertical

The process in which a piece of land, referred to as the parent tract, is subdivided into two or more parcels.

Options :

1. Final Plat
2. Platting
3. Urban Sprawl
4. Advocacy Planning

Question Number : 39 Question Id : 7621612319 Display Question Number : Yes Single Line Question Option : No Option Orientation : Vertical

In urban geography, a concept where urban settlement is confined to the area within the legal limits of the city and the congestion and virtually all of this area is occupied by urban residents.

Options :

1. Agricultural Surplus
2. True bounded City
3. City Planning
4. Traffic.

Question Number : 40 Question Id : 7621612320 Display Question Number : Yes Single Line Question Option : No Option Orientation : Vertical

He conceptualized the 'City Beautiful Movement'.

Options :

1. Frank Gehry
2. Robert Owen
3. William Van Alen

4. Daniel Burnham

Question Number : 41 Question Id : 7621612321 Display Question Number : Yes Single Line Question Option : No Option Orientation : Vertical

Phrase used to characterize development that meets the needs of the present generation without compromising the needs of the future generations.

Options :

1. Advocacy Planning
2. Sustainable Land Use Planning
3. Sustainable Development
4. Agricultural Surplus

Question Number : 42 Question Id : 7621612322 Display Question Number : Yes Single Line Question Option : No Option Orientation : Vertical

During the Industrial Revolution, what factor contributed the most to rapid urbanization?

Options :

1. The city was a cultural pull.
2. The city was an environmental pull.
3. The city was a political pull.
4. The city was an economic pull.

Question Number : 43 Question Id : 7621612323 Display Question Number : Yes Single Line Question Option : No Option Orientation : Vertical

Inner city challenges fall into three basic categories, which are

Options :

1. Economic, social, and environmental
2. Environmental, physical, and racial
3. Economic, social, and physical
4. Social, environmental, and hierarchical

Question Number : 44 Question Id : 7621612324 Display Question Number : Yes Single Line Question Option : No Option Orientation : Vertical

Which city is known as the 'Manchester of South India'?

Options :

1. Chennai
2. Coimbatore
3. Bangalore
4. Madurai



Question Number : 45 Question Id : 7621612325 Display Question Number : Yes Single Line Question Option : No Option Orientation : Vertical

Urban growth boundaries are most commonly associated with the movement known as

Options :

1. Smart growth
2. Transit oriented development
3. Low density development
4. Urban renewal

Question Number : 46 Question Id : 7621612326 Display Question Number : Yes Single Line Question Option : No Option Orientation : Vertical

The process of settlement formation, expansion, and change is called

Options :

1. Post modern expansion
2. Urbanization
3. Suburbanization
4. City growth

Question Number : 47 Question Id : 7621612327 Display Question Number : Yes Single Line Question Option : No Option Orientation : Vertical

An urban settlement that has incorporated into an independent self-governing unit is a

Options :

1. Metropolitan area
2. Metropolitan statistical area
3. City
4. Micropolitan statistical area

Question Number : 48 Question Id : 7621612328 Display Question Number : Yes Single Line Question Option : No Option Orientation : Vertical

Which land use is considered incompatible with residential neighborhoods?

Options :

1. Commercial use
2. Industrial use
3. Residential use
4. Recreational use

Question Number : 49 Question Id : 7621612329 Display Question Number : Yes Single Line Question Option : No Option Orientation : Vertical

Building with windows facing \_\_\_\_\_ or \_\_\_\_\_ provide good access to illumination and effortless shading.

Options :

1. east; west
2. north; south

3. south; west
4. north; east

Question Number : 50 Question Id : 7621612330 Display Question Number : Yes Single Line Question Option : No Option Orientation : Vertical

Which of the following is not a strategy to reduce construction waste?

Options :

1. Use of insulated refuse chute
2. Use of prefabricated materials
3. On-site sorting to separate inert materials from non-inert materials
4. Use of RMC from nearby plants

Question Number : 51 Question Id : 7621612331 Display Question Number : Yes Single Line Question Option : No Option Orientation : Vertical

A waste management plan is a strategy to generate \_\_\_\_\_ construction waste on site and to \_\_\_\_\_ public fills and landfills.

Options :

1. more; increase waste to
2. less; sort waste effectively before disposed to
3. less; transport waste safely to
4. more: decrease waste to

Question Number : 52 Question Id : 7621612332 Display Question Number : Yes Single Line Question Option : No Option Orientation : Vertical

Which of the following is the most efficient in terms of light output and cost ?

Options :

1. Compact Fluorescent Lamp
2. Neon Lamp
3. Light Emitting Diode
4. Low pressure sodium lamp

Question Number : 53 Question Id : 7621612333 Display Question Number : Yes Single Line Question Option : No Option Orientation : Vertical

Sustainable planning considers environmental, social, and \_\_\_\_\_ impacts of a building.

Options :

1. technological
2. economic
3. political
4. regional

Question Number : 54 Question Id : 7621612334 Display Question Number : Yes Single Line Question Option : No Option Orientation : Vertical

Which of the following is passive design in Architecture?

Options :

1. cooling tower
2. variable frequency drive
3. LED lights
4. building integrated photo voltaic panel

Question Number : 55 Question Id : 7621612335 Display Question Number : Yes Single Line Question Option : No Option Orientation : Vertical

The organization which develops ventilation standards for buildings is ;

Options :

1. BPI
2. ASHRAE
3. IGBC
4. USGBC

Question Number : 56 Question Id : 7621612336 Display Question Number : Yes Single Line Question Option : No Option Orientation : Vertical

Solar heat gain coefficient is a characteristic of

Options :

1. roof
2. fenestration
3. door
4. wall

Question Number : 57 Question Id : 7621612337 Display Question Number : Yes Single Line Question Option : No Option Orientation : Vertical

Acknowledged as the oldest continually inhabited city in the world

Options :

1. Babylon
2. Eridu
3. Damascus
4. Athens

Question Number : 58 Question Id : 7621612338 Display Question Number : Yes Single Line Question Option : No Option Orientation : Vertical

The first noted urban planner because of his design of the city of Miletus

Options :

1. Vitruvius
2. Hippodamus

3. Damascus
4. Raymund Unwin

Question Number : 59 Question Id : 7621612339 Display Question Number : Yes Single Line Question Option : No Option Orientation : Vertical

In AutoCAD, which key do you press to cycle through the available snap points?

Options :

1. Ctrl
2. Shift
3. Tab
4. Alt

Question Number : 60 Question Id : 7621612340 Display Question Number : Yes Single Line Question Option : No Option Orientation : Vertical

Which among the following was an exclusive university town?

Options :

1. Taxila
2. Pataliputra
3. Nalanda
4. Kashi

Question Number : 61 Question Id : 7621612341 Display Question Number : Yes Single Line Question Option : No Option Orientation : Vertical

Around \_\_\_\_\_ cities of Mohenjo-Daro and Harappa came into being in the valley of Indus river.

Options :

1. B.C. 250
2. B.C 2500
3. B.C. 1000
4. B.C. 3500

Question Number : 62 Question Id : 7621612342 Display Question Number : Yes Single Line Question Option : No Option Orientation : Vertical

Name the theory developed by D.Harris and Edward in analyzing city.

Options :

1. Ecological theory
2. Zone theory
3. Sector theory
4. Multiple nuclei



Question Number : 63 Question Id : 7621612343 Display Question Number : Yes Single Line Question Option : No Option Orientation : Vertical

Social distance in a city is due to:

Options :

1. The size of city
2. The distance between residences
3. The social heterogeneity
4. The traffic problem in city

Question Number : 64 Question Id : 7621612344 Display Question Number : Yes Single Line Question Option : No Option Orientation : Vertical

\_\_\_\_\_ is the term used to refer the relationship between human beings and their physical environment

Options :

1. human physiology
2. human ecology
3. human environment
4. human settlement

Question Number : 65 Question Id : 7621612345 Display Question Number : Yes Single Line Question Option : No Option Orientation : Vertical

A factor that is not critical to the success of urbanism is

Options :

1. The level of detail at pedestrian scales
2. The expressive style of buildings
3. The shape and position of buildings, and how they shape public space
4. The aesthetic character of buildings

Question Number : 66 Question Id : 7621612346 Display Question Number : Yes Single Line Question Option : No Option Orientation : Vertical

Mixed use is important because

Options :

1. It promotes interaction between different people during the day
2. It provides visual interest
3. It provides social equality
4. It increases economic performance

Question Number : 67 Question Id : 7621612347 Display Question Number : Yes Single Line Question Option : No Option Orientation : Vertical

Water loss to the atmosphere from the leaves occurs primarily through

Options :

1. stomates
2. vacuoles



3. petioles
4. xylem

Question Number : 68 Question Id : 7621612348 Display Question Number : Yes Single Line Question Option : No Option Orientation : Vertical

A perfect flower has:

Options :

1. both stamens and pistils
2. both petals and sepals
3. only petals
4. only stamens

Question Number : 69 Question Id : 7621612349 Display Question Number : Yes Single Line Question Option : No Option Orientation : Vertical

Knowing the mouthparts of different insects can help you determine which insect has been feeding on your plants. Which of the following insect groups has chewing mouthparts?

Options :

1. thrips
2. aphids
3. bugs
4. beetles

Question Number : 70 Question Id : 7621612350 Display Question Number : Yes Single Line Question Option : No Option Orientation : Vertical

Acidic soils can be neutralized via the addition of:

Options :

1. water
2. elemental sulfur
3. ammonium sulfate
4. dolomitic lime

Question Number : 71 Question Id : 7621612351 Display Question Number : Yes Single Line Question Option : No Option Orientation : Vertical

One of the best places to keep a fire extinguisher on a landscaping job site is:

Options :

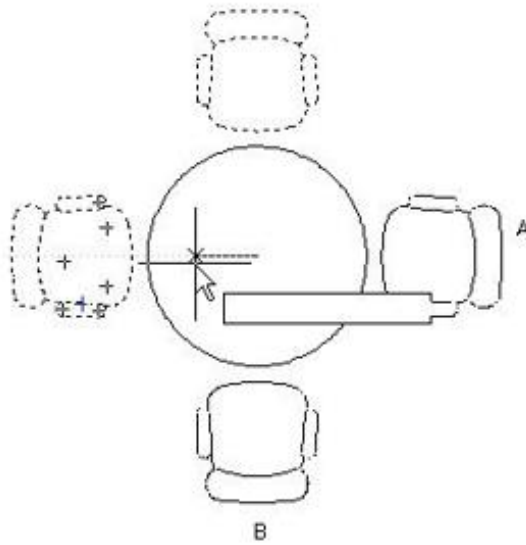
1. In a nearby building.
2. In the cab of a truck or machinery.
3. Next to the refueling station.
4. In the grass somewhere on the property.

Which of the following is the greatest excavation hazard?

Options :

1. Falling into the trench
2. Struck by falling object and/or machinery
3. Collapse of the trench
4. Striking underground utilities

What is the angle that you use to rotate the chair from point A to point B in AutoCAD drafting?



Options :

1.  $90^{\circ}$
2.  $-90^{\circ}$
3.  $-270^{\circ}$
4.  $180^{\circ}$

In 3D-Studio once you make a shape, it's important to check which of the following options?

Options :

1. Squash
2. Base to Pivot
3. AutoGrid
4. Generate Mapping Coords

In Computer graphics a picture's elements are often abbreviated as

Options :

1. Picas
2. Pixels
3. Pixie dust
4. Points

Question Number : 76 Question Id : 7621612356 Display Question Number : Yes Single Line Question Option : No Option Orientation : Vertical

Which of the following is NOT a design element

Options :

1. Space
2. Movement
3. Line
4. Value

Question Number : 77 Question Id : 7621612357 Display Question Number : Yes Single Line Question Option : No Option Orientation : Vertical

An ornamental molding around the wall of a room just below the ceiling.

Options :

1. Dome
2. Facade
3. Cornice
4. Pilaster

Question Number : 78 Question Id : 7621612358 Display Question Number : Yes Single Line Question Option : No Option Orientation : Vertical

The direct expansion refrigerant HVAC system commonly used in newer one to three story office buildings is the:

Options :

1. Through the wall unit
2. Water cooled cabinet unit
3. Rooftop unit
4. Fan coil unit

Question Number : 79 Question Id : 7621612359 Display Question Number : Yes Single Line Question Option : No Option Orientation : Vertical

As part of an economic feasibility study, which evaluation approach analyzes all current and future financial implications of a capital project?

Options :

1. Systems approach

2. Life cycle costing
3. Pay back evaluation
4. Cost benefit analysis

Question Number : 80 Question Id : 7621612360 Display Question Number : Yes Single Line Question Option : No Option Orientation : Vertical

All flooring requires that there be some preparation of the:

Options :

1. Inside temperature
2. Subfloor
3. Air quality
4. Walls

Question Number : 81 Question Id : 7621612361 Display Question Number : Yes Single Line Question Option : No Option Orientation : Vertical

Which of the following is a dead load?

Options :

1. Occupants
2. Movable partitions
3. Precipitation
4. Utility installations

Question Number : 82 Question Id : 7621612362 Display Question Number : Yes Single Line Question Option : No Option Orientation : Vertical

Steel rods or bars are added to concrete to provide additional

Options :

1. Compressive strength
2. Insulation
3. Tensile strength
4. Weather resistance

Question Number : 83 Question Id : 7621612363 Display Question Number : Yes Single Line Question Option : No Option Orientation : Vertical

The principal way to improve a buildings indoor air quality is to:

Options :

1. Establish a no smoking policy throughout the building
2. Educate occupants about the materials used in furniture.
3. Reduce the amount of outside air drawn into the building
4. Maintain acceptable temperature and relative humidity

Question Number : 84 Question Id : 7621612364 Display Question Number : Yes Single Line Question Option : No Option Orientation : Vertical

A lower U-Value indicates that a curtain wall or window assembly:

Options :

1. Is poorly designed
2. Can handle most seismic loads
3. Is well insulated
4. Has excellent expansion capabilities

Question Number : 85 Question Id : 7621612365 Display Question Number : Yes Single Line Question Option : No Option Orientation : Vertical

In a refrigeration system, the pressure on the discharge side of the compressor is called:

Options :

1. High-side pressure
2. Back pressure
3. Suction pressure
4. Low-side pressure

Question Number : 86 Question Id : 7621612366 Display Question Number : Yes Single Line Question Option : No Option Orientation : Vertical

Water hammer in plumbing systems is caused by:

Options :

1. The slow opening and closing of valves
2. Change in water temperature
3. Oscillations in the pressure of water
4. A lack of air in the system

Question Number : 87 Question Id : 7621612367 Display Question Number : Yes Single Line Question Option : No Option Orientation : Vertical

A fire damper is required in a duct system where:

Options :

1. The duct splits
2. There are duct transitions
3. There is a low pressure duct
4. The duct penetrates a fire zone barrier

Question Number : 88 Question Id : 7621612368 Display Question Number : Yes Single Line Question Option : No Option Orientation : Vertical

In conference rooms, auditoriums, and other areas of assembly, the most significant heat gain is from:

Options :

1. Lighting

2. Ventilation
3. Equipment
4. People

Question Number : 89 Question Id : 7621612369 Display Question Number : Yes Single Line Question Option : No Option Orientation : Vertical

Maximum stress which the material springs back to the original length when the load is released

Options :

1. Proportional Limit
2. Elastic Limit
3. Yield Point
4. Ultimate Strength

Question Number : 90 Question Id : 7621612370 Display Question Number : Yes Single Line Question Option : No Option Orientation : Vertical

The gradual deformation of a body produced by continued application of stress or prolonged exposure to heat is called

Options :

1. Creep
2. Fatigue
3. Strain
4. Elastic Range

Question Number : 91 Question Id : 7621612371 Display Question Number : Yes Single Line Question Option : No Option Orientation : Vertical

The ratio of lateral strain to the corresponding longitudinal strain in an elastic body under longitudinal stress

Options :

1. Slenderness ratio
2. Poisson's Ratio
3. Compressive Ratio
4. Axial Ratio

Question Number : 92 Question Id : 7621612372 Display Question Number : Yes Single Line Question Option : No Option Orientation : Vertical

The maximum area of tension reinforcement in beams shall not exceed

Options :

1. 0.15%
2. 1.5%
3. 4%

4. 1%

Question Number : 93 Question Id : 7621612373 Display Question Number : Yes Single Line Question Option : No Option Orientation : Vertical

The diameter of longitudinal bars of a column should never be less than

Options :

1. 6 mm
2. 8 mm
3. 10 mm
4. 12 mm

Question Number : 94 Question Id : 7621612374 Display Question Number : Yes Single Line Question Option : No Option Orientation : Vertical

Thickened part of a flat slab over its supporting column is technically known as

Options :

1. drop panel
2. capital
3. column head
4. corbel

Question Number : 95 Question Id : 7621612375 Display Question Number : Yes Single Line Question Option : No Option Orientation : Vertical

The minimum cube strength of concrete used for a prestressed member, is

Options :

1. 50 kg/cm<sup>2</sup>
2. 150 kg/cm<sup>2</sup>
3. 250 kg/cm<sup>2</sup>
4. 350 kg/cm<sup>2</sup>

Question Number : 96 Question Id : 7621612376 Display Question Number : Yes Single Line Question Option : No Option Orientation : Vertical

The number of treads in a flight in stair case is equal to

Options :

1. number of risers
2. number of risers plus one
3. number of risers minus one
4. number of risers minus two

Question Number : 97 Question Id : 7621612377 Display Question Number : Yes Single Line Question Option : No Option Orientation : Vertical

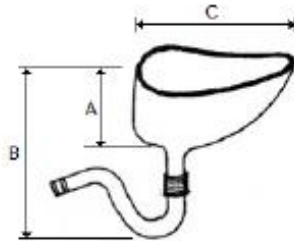
According to load factor method, the permissible load  $W$  on a short column reinforced with longitudinal bars & lateral stirrups, is

Options :

1. Stress in concrete x area of concrete
2. Stress in steel x area of steel
3. (Stress in concrete x area of concrete) + (Stress in steel x area of steel)
4. (Stress in concrete x area of concrete) – (Stress in steel x area of steel)

Question Number : 98 Question Id : 7621612378 Display Question Number : Yes Single Line Question Option : No Option Orientation : Vertical

The value of 'A' of Indian type W.C. shown in the given figure is :



Options :

1. 25 cm
2. 30 cm
3. 40 cm
4. 45 cm

Question Number : 99 Question Id : 7621612379 Display Question Number : Yes Single Line Question Option : No Option Orientation : Vertical

In long and short wall method of estimation, the length of long wall is the centre to centre distance between the walls and

Options :

1. breadth of the wall
2. half breadth of wall on each side
3. one fourth breadth of wall on each side
4. one third of breadth of wall on each side

Question Number : 100 Question Id : 7621612380 Display Question Number : Yes Single Line Question Option : No Option Orientation : Vertical

Increase in traffic volume, due to increase in transport vehicles, is known as

Options :

1. development traffic
2. normal traffic growth
3. generated traffic growth
4. current traffic

Question Number : 101 Question Id : 7621612381 Display Question Number : Yes Single Line Question Option : No Option Orientation : Vertical



In India the modes of transportation, in the order of their importance, are

Options :

1. air transport, shipping, roads, railways
2. shipping, roads, railways, air transport
3. roads, railways, air transport, shipping
4. railways, roads, shipping, air transport

Question Number : 102 Question Id : 7621612382 Display Question Number : Yes Single Line Question Option : No Option Orientation : Vertical

The wall constructed for the stability of an excavated portion of a road on the hill side, is known as

Options :

1. retaining wall
2. breast wall
3. parapet wall
4. abutment

Question Number : 103 Question Id : 7621612383 Display Question Number : Yes Single Line Question Option : No Option Orientation : Vertical

In surveying the point on the celestial sphere vertically below the observer's position, is called

Options :

1. zenith
2. celestial point
3. nadir
4. pole

Question Number : 104 Question Id : 7621612384 Display Question Number : Yes Single Line Question Option : No Option Orientation : Vertical

Architectural dimensioning standards allow for the placement of dimensions inside the floor plan. These inside dimensions locate interior \_\_\_\_\_.

Options :

1. door openings and walls
2. centers of cabinets
3. windows
4. ventilators

Question Number : 105 Question Id : 7621612385 Display Question Number : Yes Single Line Question Option : No Option Orientation : Vertical

For multiple seating in places of assembly, rows of seats between aisles shall have this maximum number of seats.

Options :

1. 7
2. 9
3. 11
4. 14

Question Number : 106 Question Id : 7621612386 Display Question Number : Yes Single Line Question Option : No Option Orientation : Vertical

The floor area assigned to that use divided by the unit area per occupant.

Options :

1. Density
2. Occupant load
3. Building bulk
4. Floor area ratio

Question Number : 107 Question Id : 7621612387 Display Question Number : Yes Single Line Question Option : No Option Orientation : Vertical

Largely residential areas immediately outside of cities are known as:

Options :

1. Rural
2. Wild
3. Urban
4. Suburban

Question Number : 108 Question Id : 7621612388 Display Question Number : Yes Single Line Question Option : No Option Orientation : Vertical

Which of the following is a part of studio apartment?

Options :

1. Master bed room
2. Artist's room
3. Multipurpose space
4. Children's room

Question Number : 109 Question Id : 7621612389 Display Question Number : Yes Single Line Question Option : No Option Orientation : Vertical

The behavior of sandy soil to weaken its capacity to carry imposed loads when subjected to vibration such as earthquake particularly when water table saturates this layer.

Options :

1. Liquefaction
2. Liquidity
3. Compaction

#### 4. Settlement

Question Number : 110 Question Id : 7621612390 Display Question Number : Yes Single Line Question Option : No Option Orientation : Vertical

The load at which a perfectly straight member under compression assumes a deflected position.

Options :

1. Eccentric load
2. Axial load
3. Deflecting load
4. Buckling load

Question Number : 111 Question Id : 7621612391 Display Question Number : Yes Single Line Question Option : No Option Orientation : Vertical

What lines represents summits (peaks) and depressions (valleys)?

Options :

1. Closed Contour Lines
2. Contour Lines
3. Property Lines
4. Boundary lines

Question Number : 112 Question Id : 7621612392 Display Question Number : Yes Single Line Question Option : No Option Orientation : Vertical

The regular length of time for concrete to harden or to set.

Options :

1. 26 days
2. 28 days
3. 24 days
4. 20 days

Question Number : 113 Question Id : 7621612393 Display Question Number : Yes Single Line Question Option : No Option Orientation : Vertical

A distortion of the board in which the face is convex or concave longitudinal is a

Options :

1. Bow
2. Cup
3. Crook
4. Twist

Question Number : 114 Question Id : 7621612394 Display Question Number : Yes Single Line Question Option : No Option Orientation : Vertical

Which of the following is not a ferrous metal?

Options :

1. Cast Iron
2. Mild Steel
3. Wrought Iron
4. Brass

Question Number : 115 Question Id : 7621612395 Display Question Number : Yes Single Line Question Option : No Option Orientation : Vertical

Manner of Arranging and Coordinating the parts of a composition so as to produce a coherent image

Options :

1. Organization
2. Composition
3. Form
4. Massing

Question Number : 116 Question Id : 7621612396 Display Question Number : Yes Single Line Question Option : No Option Orientation : Vertical

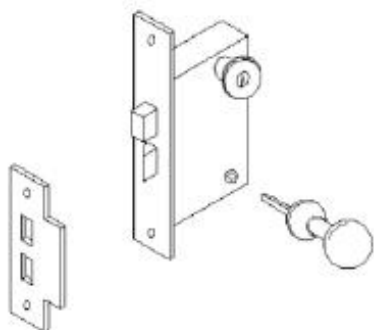
Best way to reduce air-borne sound is to

Options :

1. Relocate the building
2. Use absorptive materials
3. Cover the source
4. Use reflective materials

Question Number : 117 Question Id : 7621612397 Display Question Number : Yes Single Line Question Option : No Option Orientation : Vertical

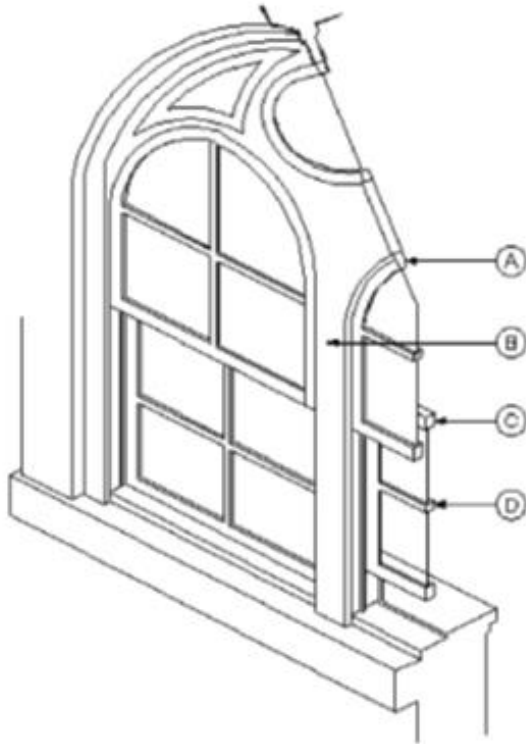
What type of lockset is pictured below?



Options :

1. Mortised
2. Unit
3. Cylinder
4. Lever

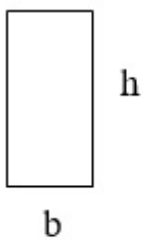
Which letter in the figure shown below indicates a muntin?



Options :

1. A
2. B
3. C
4. D

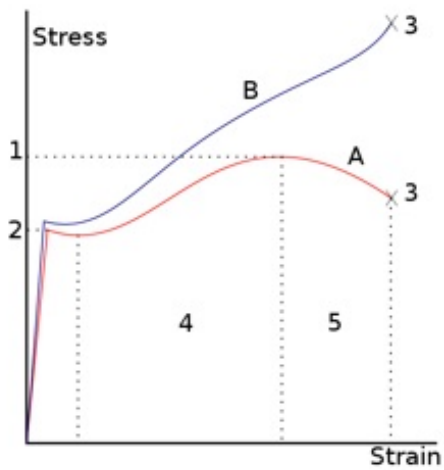
The section modulus,  $S$ , of a wood beam with the section shown below is



Options :

1.  $bh/4$
2.  $bh^3/12$
3.  $bh^2/6$
4.  $bh^2/4$

A graphic representation of the relationship between unit stress values and the corresponding unit strains for a specific material ;



Options :

1. Tensile Diagram
2. Moment Diagram
3. Ultimate strength Diagram
4. Stress-Strain Diagram